

Latte Log Cabin

Quilt designed by Marinda Stewart. Quilt measures approximately 50" x 50"

Fabric	Yardage	Cutting
K1008 Tan	1/6 yard	Cut sixty-four 1-1/2" x 1-1/2" squares.
CX3184 Snow	1/6 yard	Cut thirty-two 1" x 1-1/2" pieces. Cut thirty-two 1" x 2" pieces.
CX1065 Latte	1/6 yard	Cut thirty-two 1" x 2" pieces. Cut thirty-two 1" x 2-1/2" pieces.
CX2858 Latte	1/6 yard	Cut thirty-two 1" x 2-1/2" pieces. Cut thirty-two 1" x 3" pieces.
CX3328 Latte	1/4 yard	Cut thirty-two 1" x 3" pieces. Cut thirty-two 1" x 3-1/2" pieces.
CX3318 Au Lait	1/4 yard	Cut thirty-two 1" x 3-1/2" pieces. Cut thirty-two 1" x 4" pieces.
CX3318 Latte	1 yard	Cut thirty-two 1" x 4" pieces. Cut thirty-two 1" x 4-1/2" pieces. Cut six 2-1/4" x WOF (width of fabric) strips. Piece the strips together for binding.
CX3323 Au Lait	1/4 yard	Cut thirty-two 1" x 4-1/2" pieces. Cut thirty-two 1" x 5" pieces.
CX3195 Latte	3/8 yard	Cut thirty-two 1" x 5" pieces. Cut thirty-two 1" x 5-1/2" pieces.
CX1065 Snow	1/6 yard	Cut thirty-two 1" x 1-1/2" pieces. Cut thirty-two 1" x 2" pieces.
CX3339 Latte	1/6 yard	Cut thirty-two 1" x 2" pieces. Cut thirty-two 1" x 2-1/2" pieces.
CX3328 Cream	1/6 yard	Cut thirty-two 1" x 2-1/2" pieces. Cut thirty-two 1" x 3" pieces.
CX3328 Au Lait	1/4 yard	Cut thirty-two 1" x 3" pieces. Cut thirty-two 1" x 3-1/2" pieces.
CX3195 Cream	1/4 yard	Cut thirty-two 1" x 3-1/2" pieces. Cut thirty-two 1" x 4" pieces.
CX3274 Cream	1/4 yard	Cut thirty-two 1" x 4" pieces. Cut thirty-two 1" x 4-1/2" pieces.
CX3275 Cream	1/4 yard	Cut thirty-two 1" x 4-1/2" pieces. Cut thirty-two 1" x 5" pieces.
CX3095 Latte	3/8 yard	Cut thirty-two 1" x 5" pieces. Cut thirty-two 1" x 5-1/2" pieces.
CX3328 Snow	1/8 yard	Cut two 3/4" x 40-1/2" pieces. Cut two 3/4" x 41-1/4" pieces.
CX0482 Latte	1/4 yard	Fussy cut two strips approximately 1-1/2" x 41-1/4" pieces, centering on the checkerboard print. Fussy cut three 1-1/2" x WOF strips. Piece three strips together and cut two 1-1/2" x 43-1/4" pieces.
CX3323 Latte	5/8 yard	Cut six 4" x WOF strips. Piece the strips together to make two 4" x 43-1/4" pieces and two 4" x 50-1/2" pieces.

You will also need:

54" X 54" backing

54" X 54" batting

Threads to match

Scissors, straight pins, acrylic ruler, mat, rotary cutter

Disclaimers

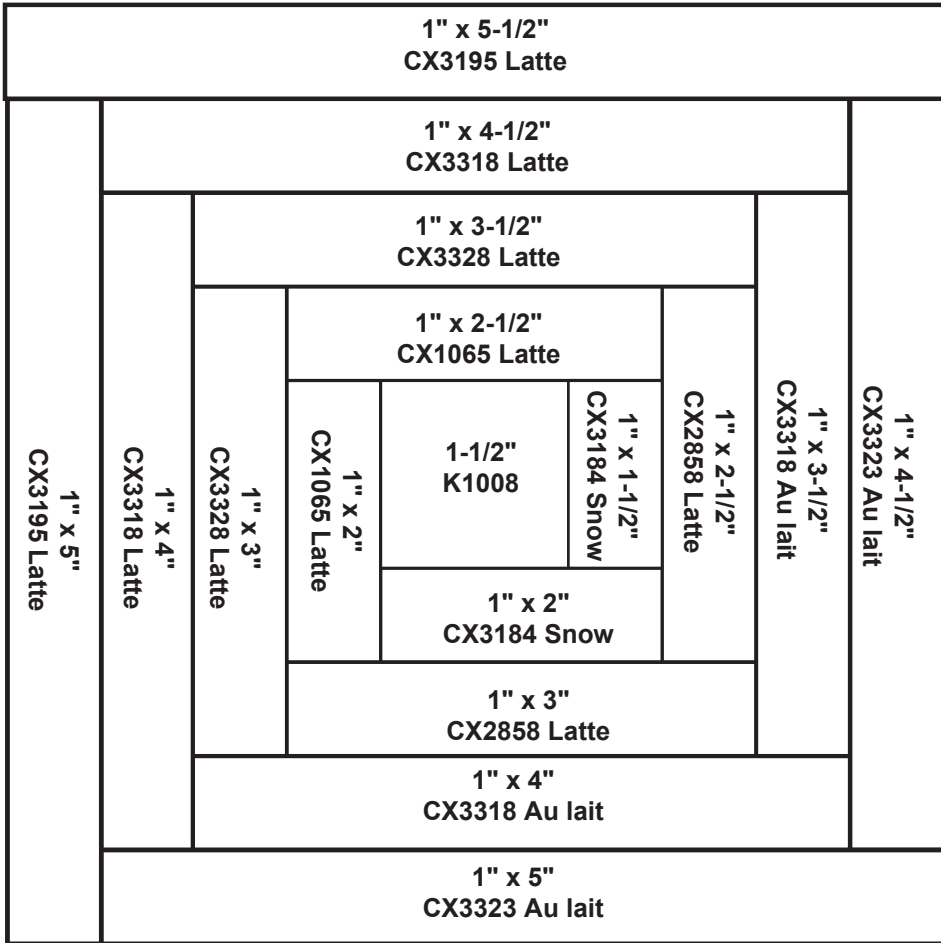
- This pattern is provided as a courtesy to quilt stores, catalogs and quilters. Michael Miller Fabrics, LLC is not responsible for the accuracy of any kits packaged to accompany this pattern. Please direct any inquires to the kit maker.
- Yardage requirements for this pattern may allow for excess yardage to accommodate specific placement of motifs or to allow for any fussy-cutting to achieve the finished quilt design.
- While every attempt has been made to give accurate measurements, yardage requirements and construction directions, this does not allow for personal variations in measuring, cutting and or sewing. the enclosed directions were used in the construction of the original quilt.

Assembly Instructions

This quilt consists of four 20" x 20" compound blocks each containing sixteen 5" x 5" log cabin blocks. There are two fabric combinations "A" and "B".

- 01) Follow the block layouts on page two to make thirty-two Log Cabin "A" blocks and thirty-two Log Cabin "B" blocks.
- 02) For one 20-1/2" unfinished compound block, refer to the quilt photo for block position and sew four Block "A" squares together to make one row. Make four rows. Sew the rows together to make one compound block "A". Repeat to make a second Block "A" and two Block "B" squares.
- 03) Following the photo for placement sew together the two Block "A" squares and two Block "B" squares to make the quilt top.
- 04) Sew one 3/4" x 40-1/2" CX3328-snow strip to the top and bottom of the quilt top. Sew two 3/4" x 41-1/4" strips to each side of the quilt top.
- 05) Sew one 1-1/2" x 41-1/2" CX0482 Latte strip to the top and bottom of the quilt top. Sew one 1-1/2" x 43-1/4" CX0482 Latte strip to the sides of the quilt top.
- 06) Sew one 4" x 43-1/2" CX3323 Latte strip to the top and bottom of the quilt top. Sew one 4" 50-1/2" CX3323 Latte strip to each side of the quilt top.
- 07) Layer, quilt and bind as desired.

Block "A" layout



Block "B" layout

